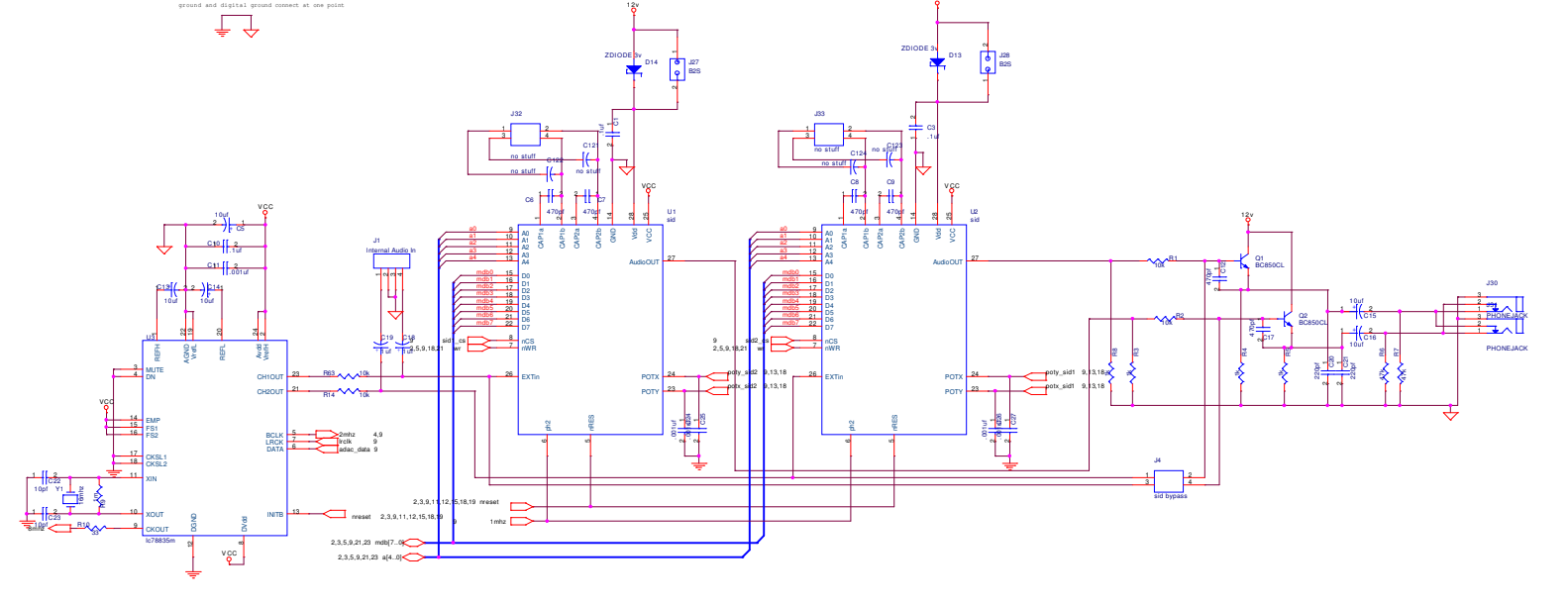
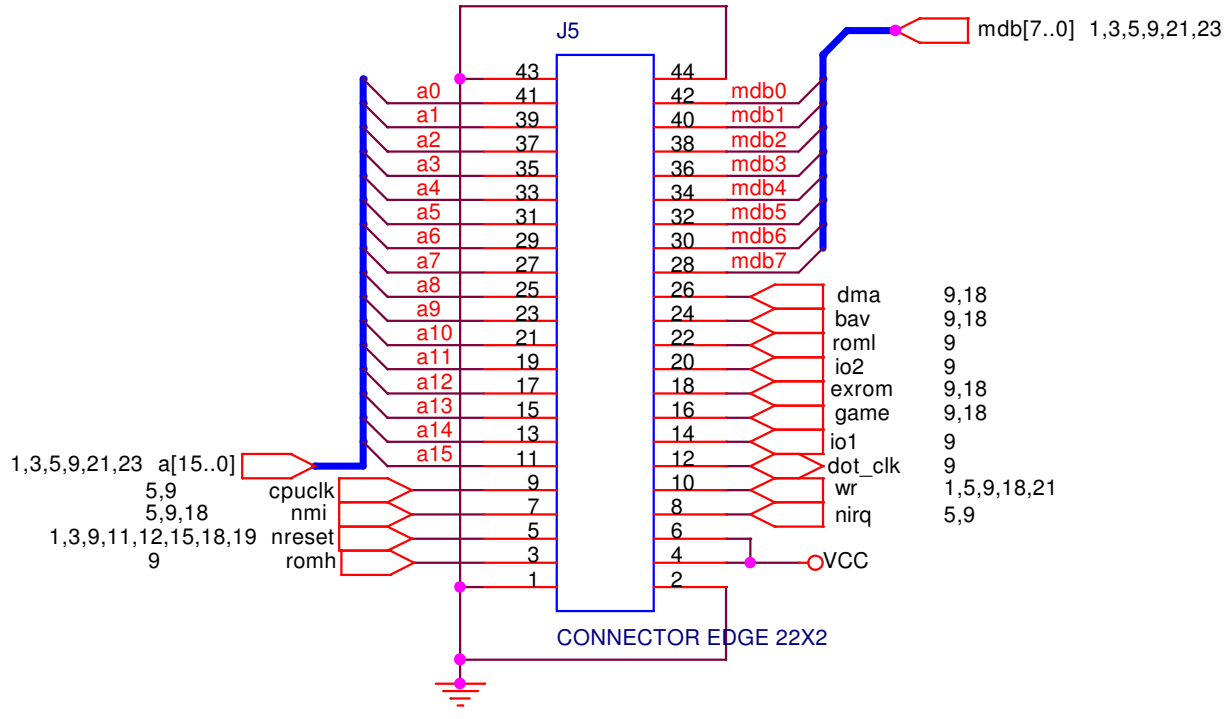


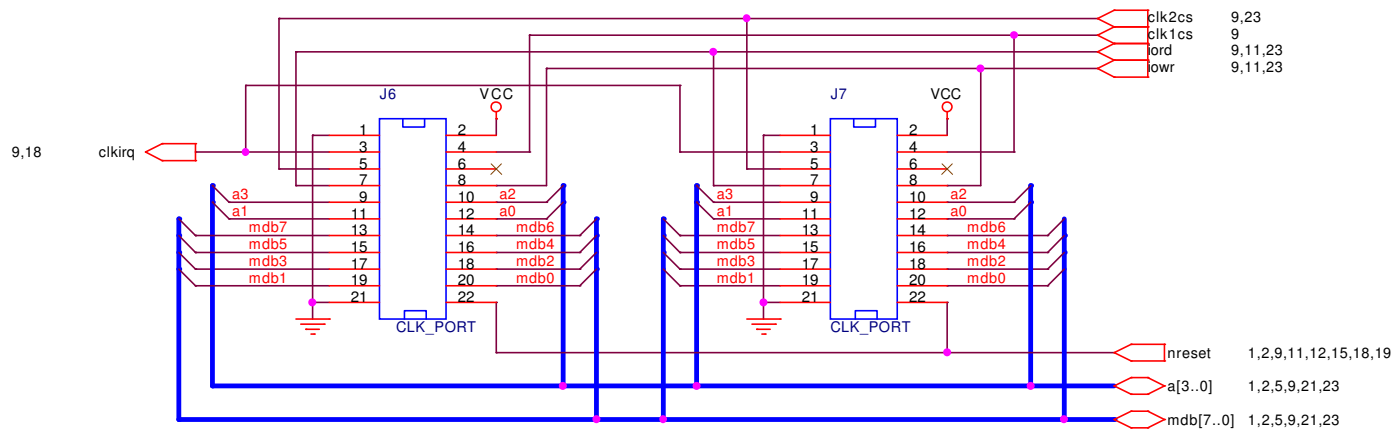
ground and digital ground connect at one point



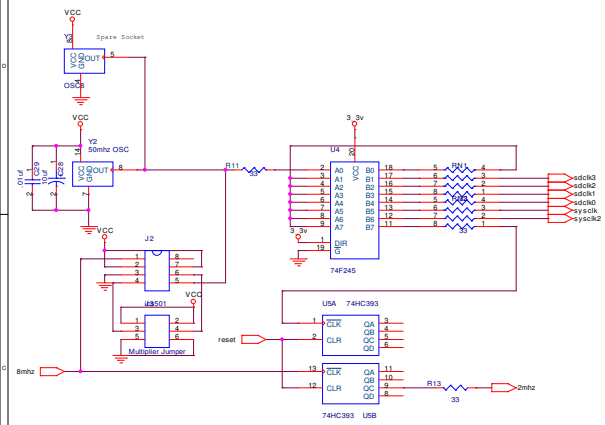
J56	<Title>	
J57	Document Number	
C15	Rev	
DATE	Microchip, August 12, 2004	Page 1 of 25



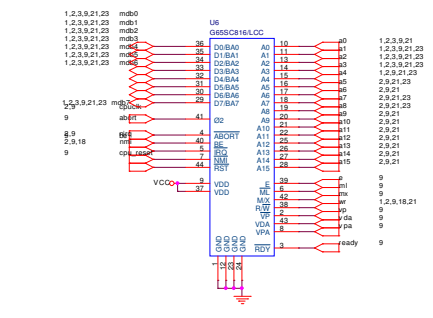
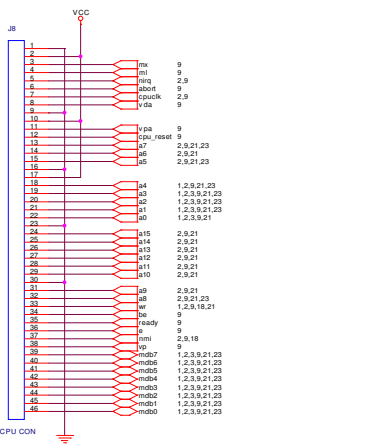
Title		
<Title>		
Size	Document Number	Rev
Custom	<Doc>	<RevC>
Date:	Thursday, August 12, 2004	Sheet 2 of 23



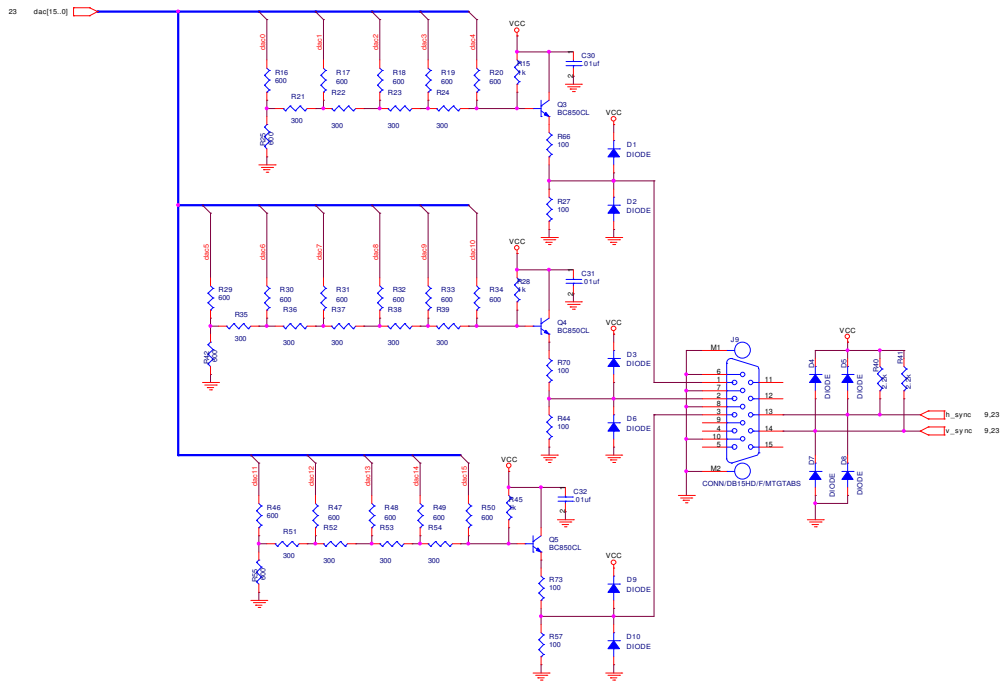
Title			<Title>
Size	Document Number		Rev
A	<Doc>		<ReV>
Date:	Thursday, August 12, 2004	Sheet	3 of 23



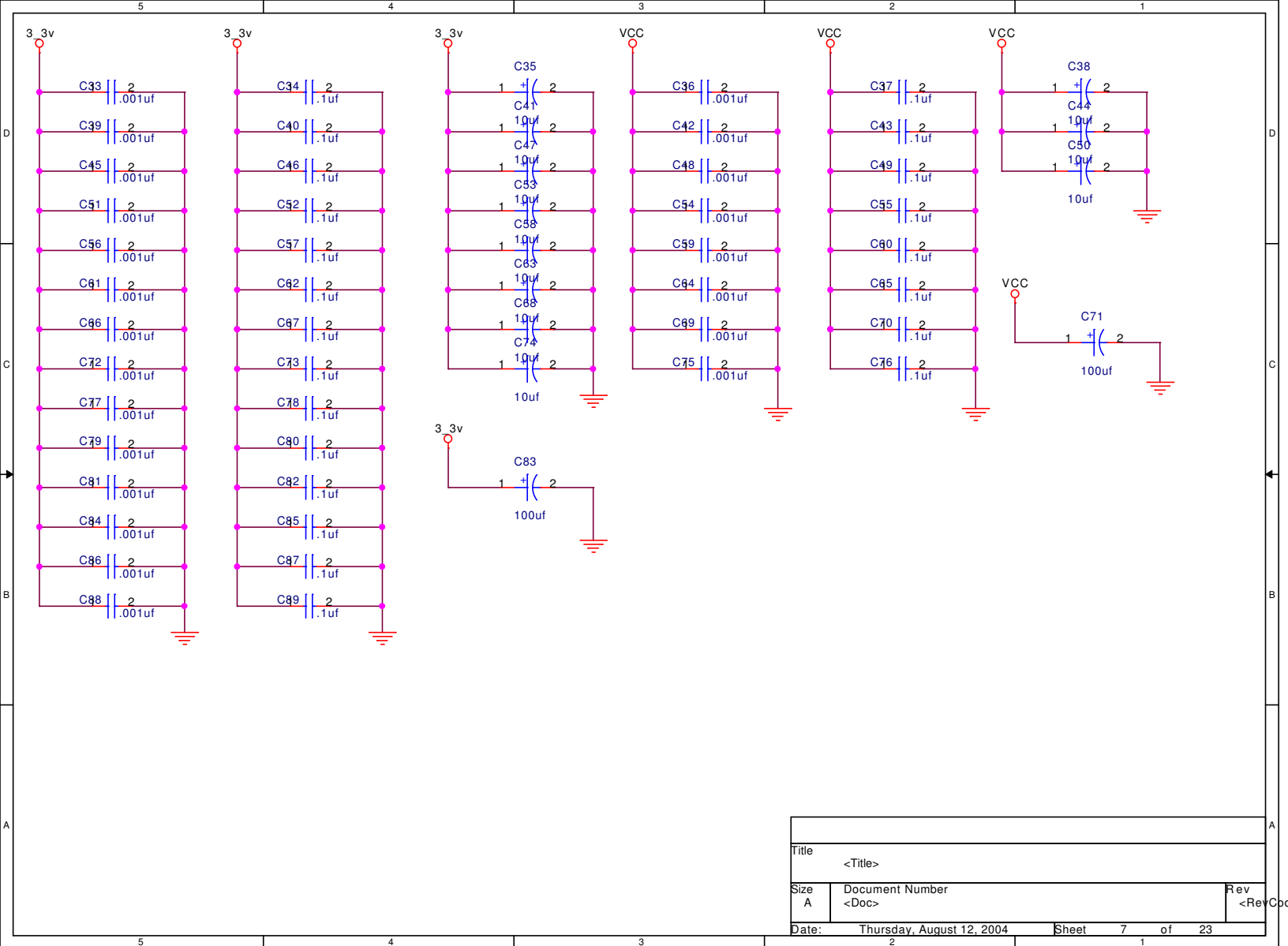
File	<Title>		Rev
Size	Document Number		Rev
0	<Doc>		<Rev>
Date:	Thursday, August 12, 2004	Sheet	4 of 23



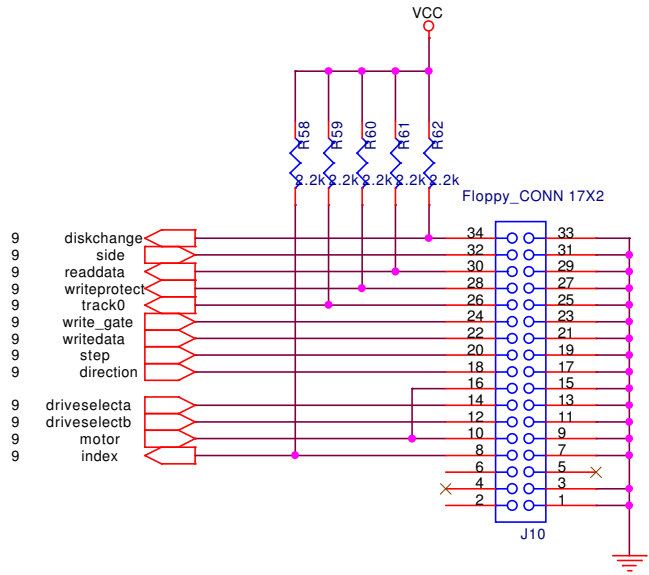
Rev: <Title>		
Size: C	Document Number: <Doc>	Rev: <Rev>
Date: Thursday, August 12, 2004	Sheet: 5 of 23	



File	<Title>	Rev
Size	Document Number	Rev
1 C	<Doc>	<Rev>
Date:	Thursday, August 12, 2004	Sheet 6 of 23

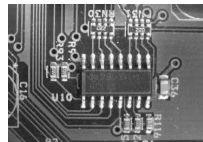


Title			<Title>
Size	Document Number		Rev
A	<Doc>		<Rev>
Date:	Thursday, August 12, 2004	Sheet	7 of 23



Title		
<Title>		
Size	Document Number	Rev
A	<Doc>	<Rev>
Date:	Thursday, August 12, 2004	Sheet 8 of 23

1k100

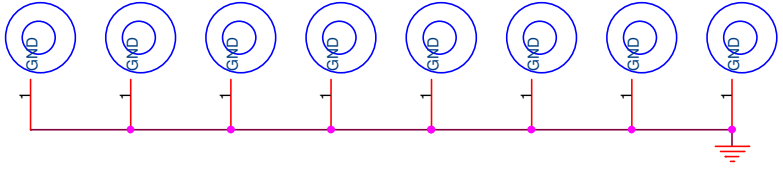


1k100

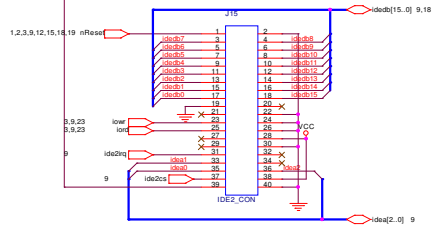
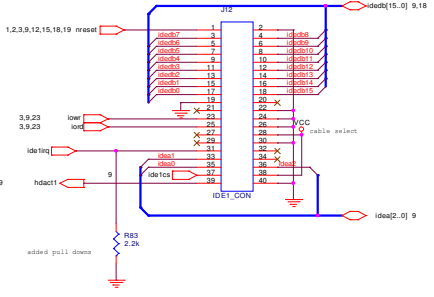
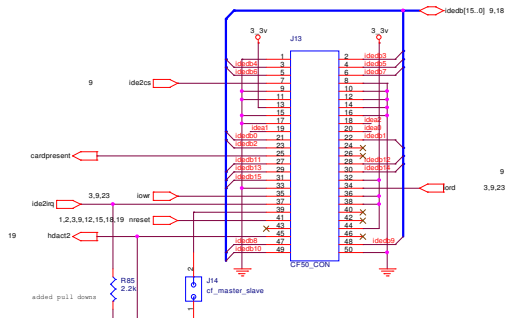
1k100

File:	
Project Name:	
Author:	
Revision:	
Date:	

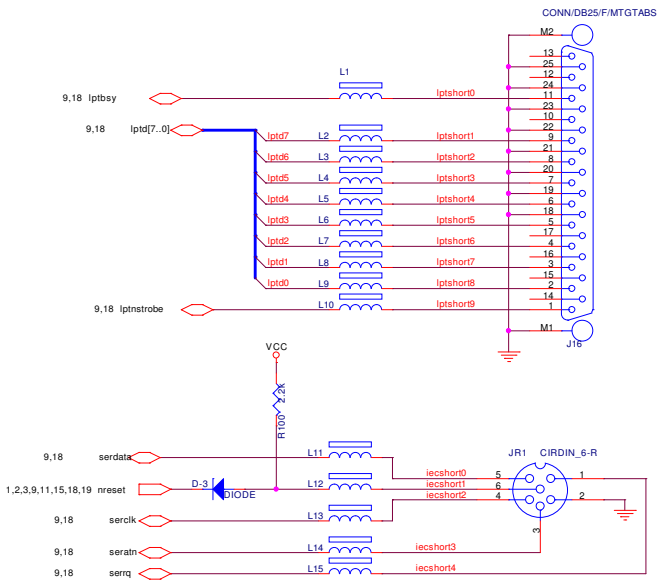
HS1 HS2 HS3 HS4 HS5 HS6 HS7 HS8
 Mounting hole Mounting hole Mounting hole Mounting hole Mounting hole Mounting hole Mounting hole Mounting hole



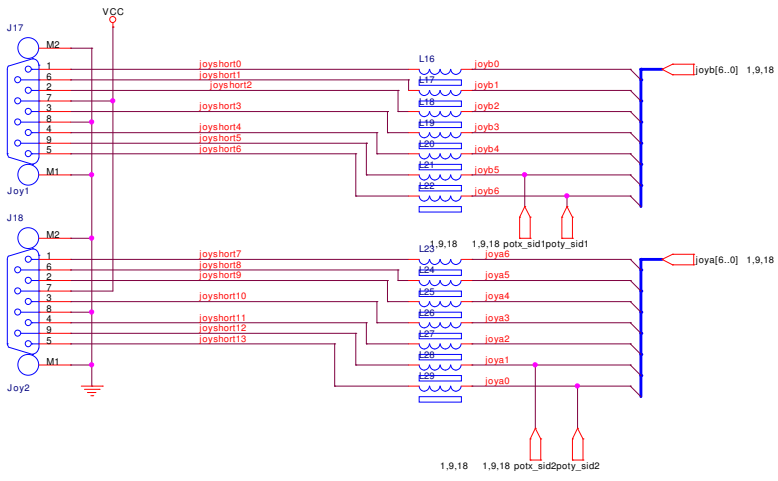
Title			<Title>
Size	Document Number		Rev
A	<Doc>		<Rev>
Date:	Thursday, August 12, 2004	Sheet	10 of 23



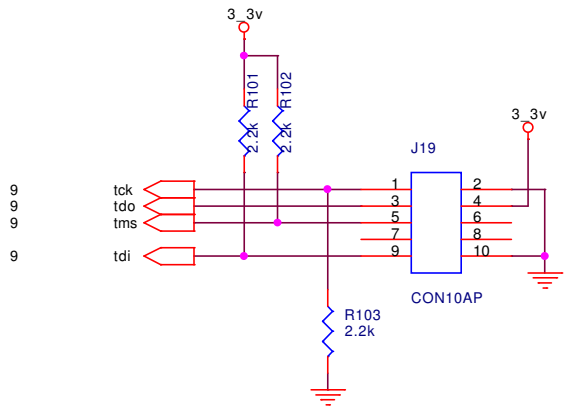
File	IDE_CF_LPT_CLK		Rev
Size	Document Number		RO
Customer			
Date	Thursday, August 12, 2004	Sheet	11 of 25



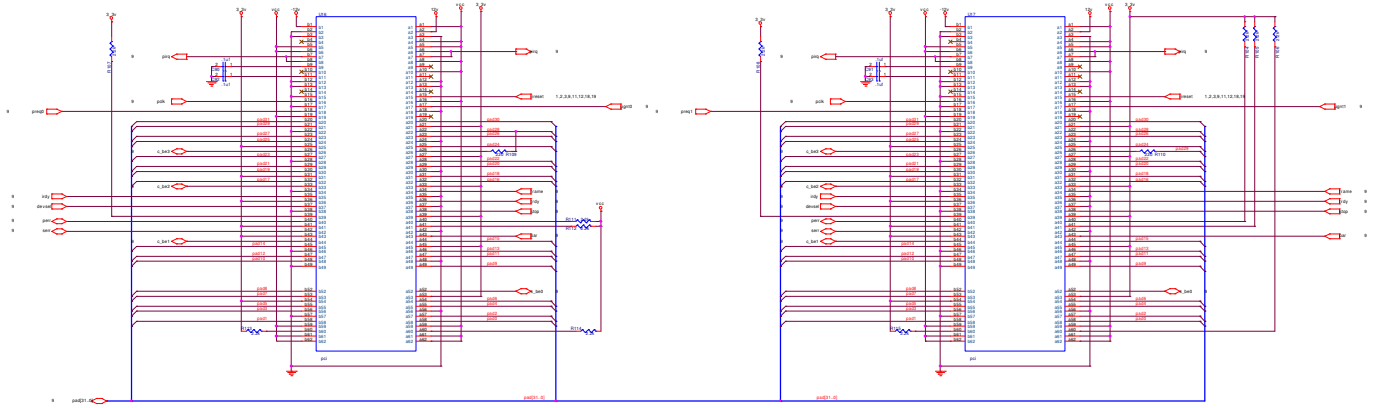
Title	<Title>	
Size	Document Number	Rev
B	<Doc>	<Rev>
Date:	Thursday, August 12, 2004	Sheet 12 of 23



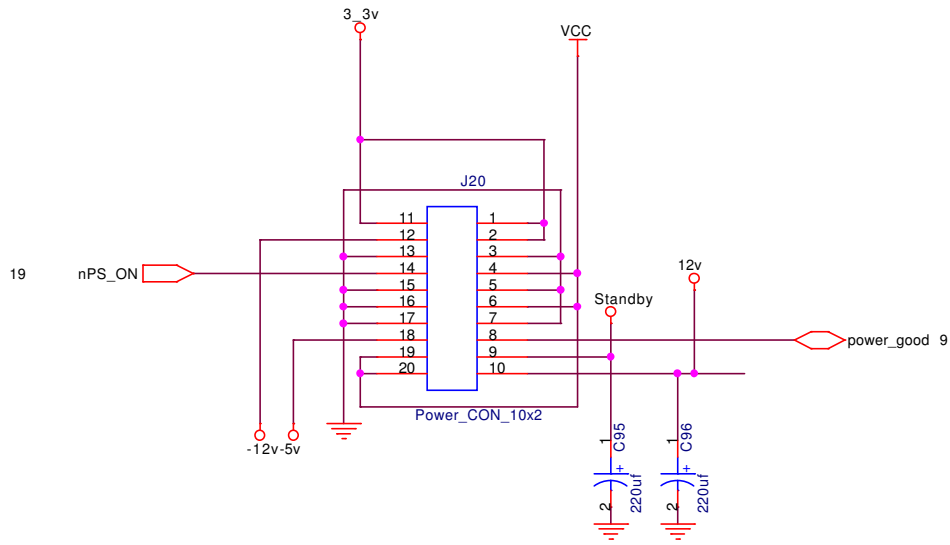
Title	<Title>		Rev
Size	Document Number		
B	<Doc>		<Rev Code>
Date:	Thursday, August 12, 2004	Sheet 13 of 23	



Title			<Title>
Size	Document Number		Rev
A	<Doc>		<Rev>
Date:	Thursday, August 12, 2004	Sheet	14 of 23

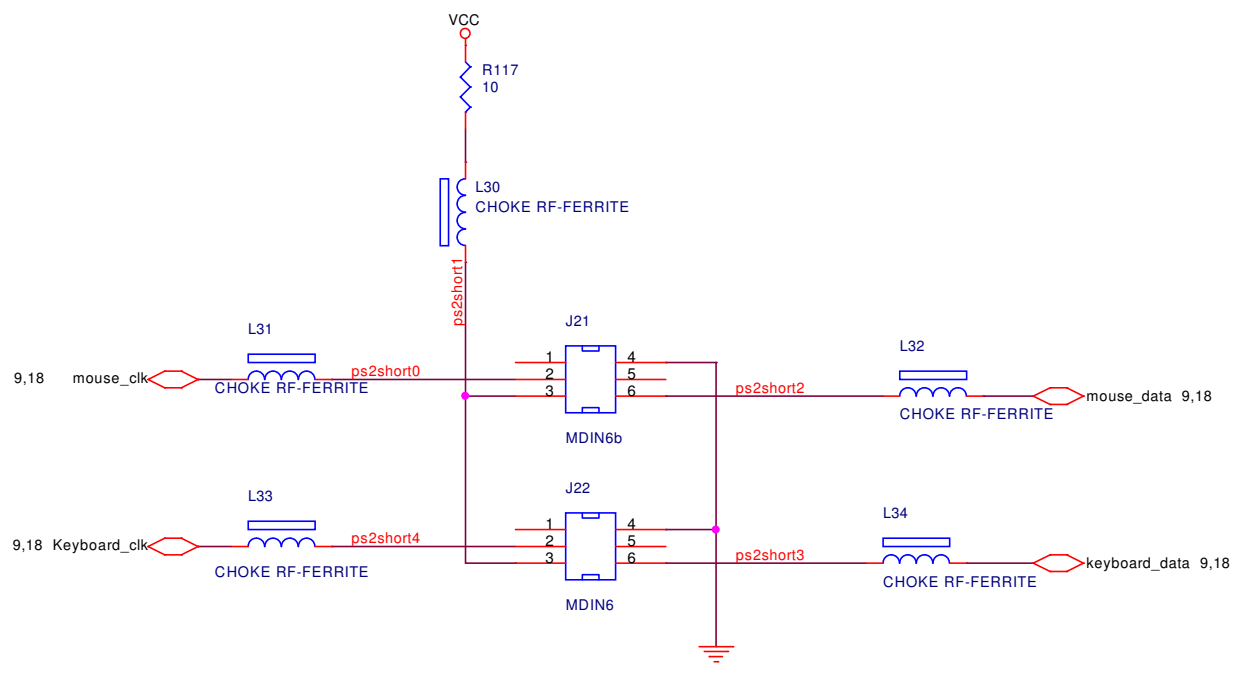


File:	
Project Name:	
Author:	
Version:	
Created:	
Modified:	
Printed:	

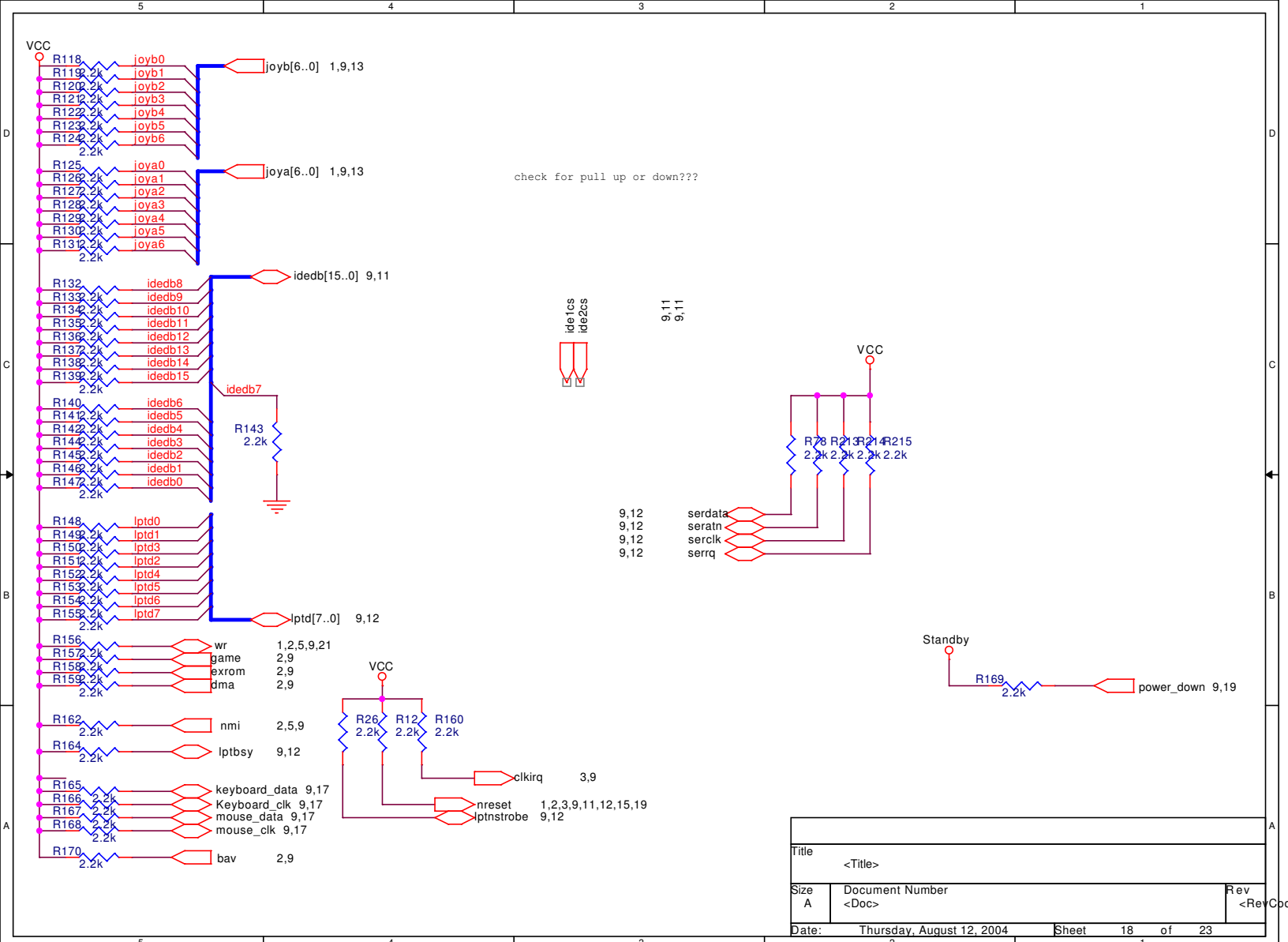


Title		
<Title>		
Size	Document Number	Rev
A	<Doc>	<Rev>
Date:	Thursday, August 12, 2004	Sheet 16 of 23

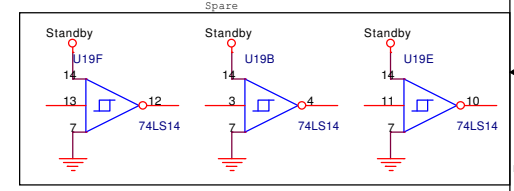
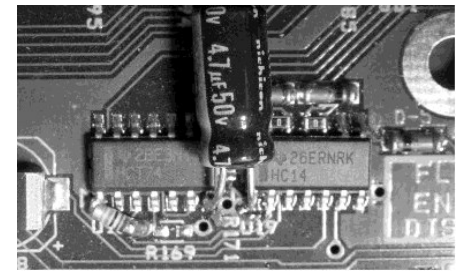
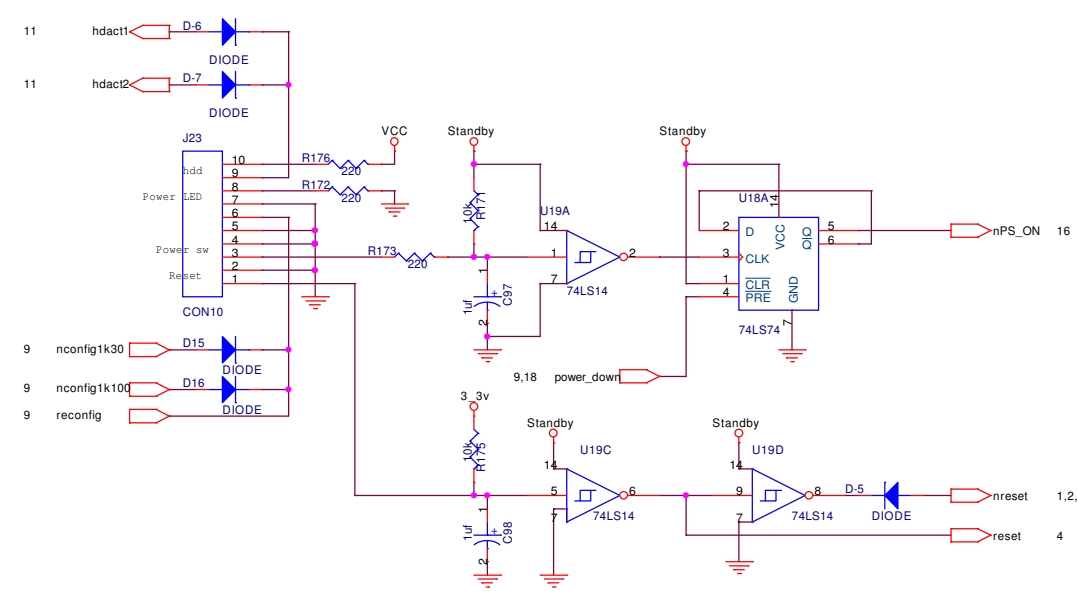
D
C
B
A



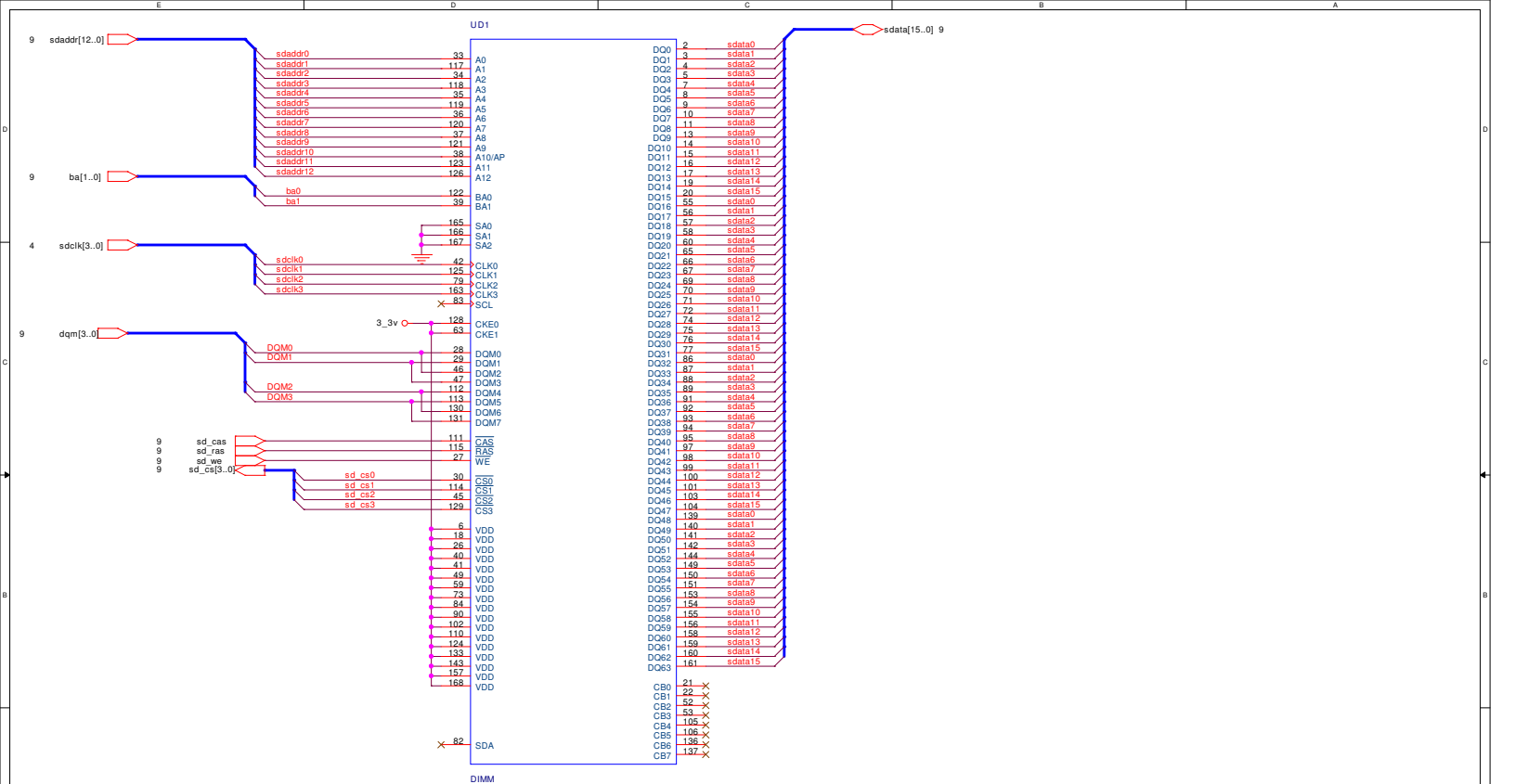
Title		
<Title>		
Size	Document Number	Rev
A	<Doc>	<ReVCo
Date:	Thursday, August 12, 2004	Sheet 17 of 23
	2	1



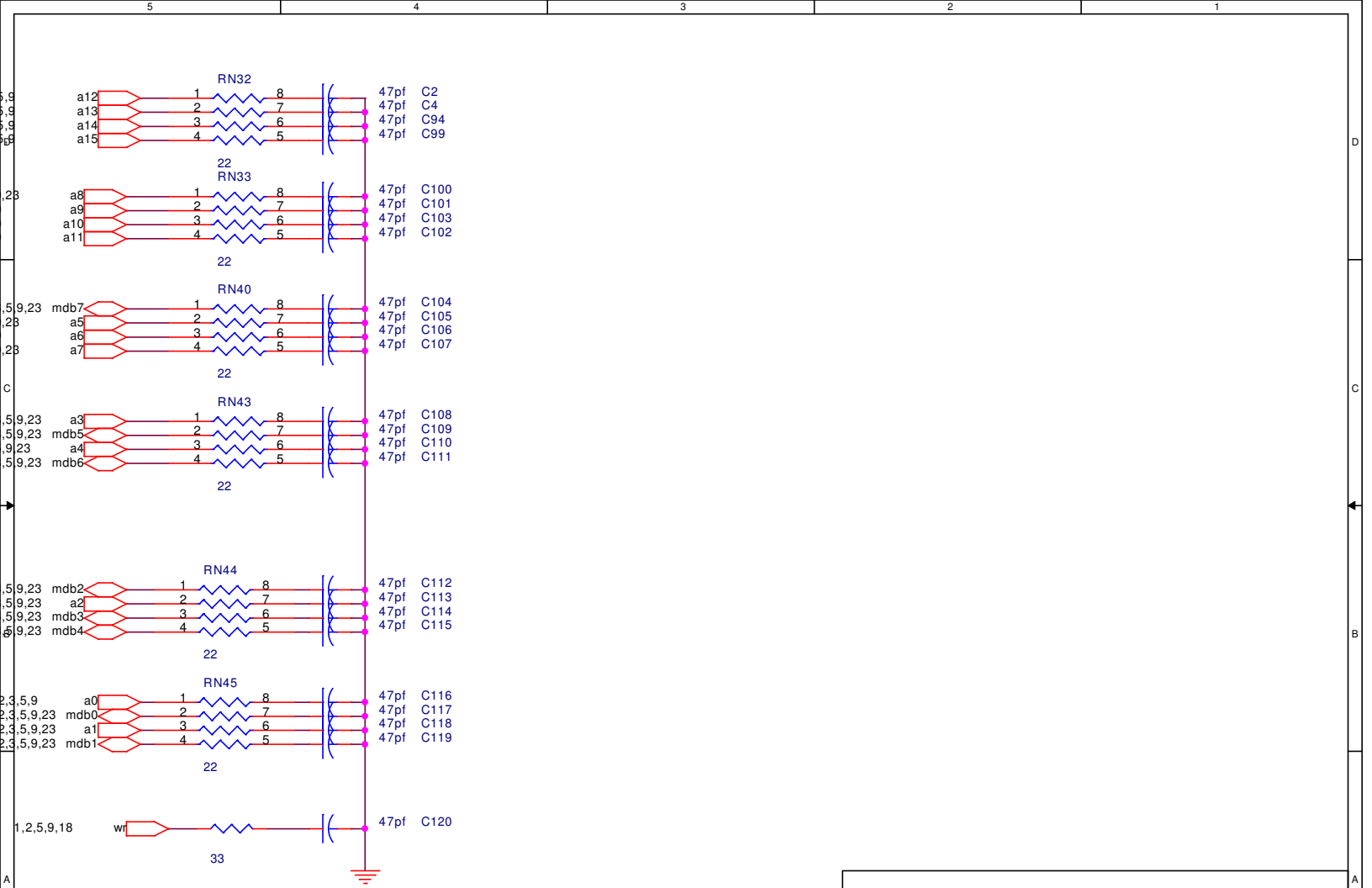
Title			<Title>
Size	Document Number	Rev	
A	<Doc>	<Rev>	
Date:	Thursday, August 12, 2004	Sheet	18 of 23



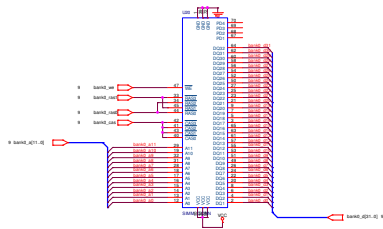
Title		
Power Latch_Reset		
Size	Document Number	Rev R1
Date:	Thursday, August 12, 2004	Sheet 19 of 23



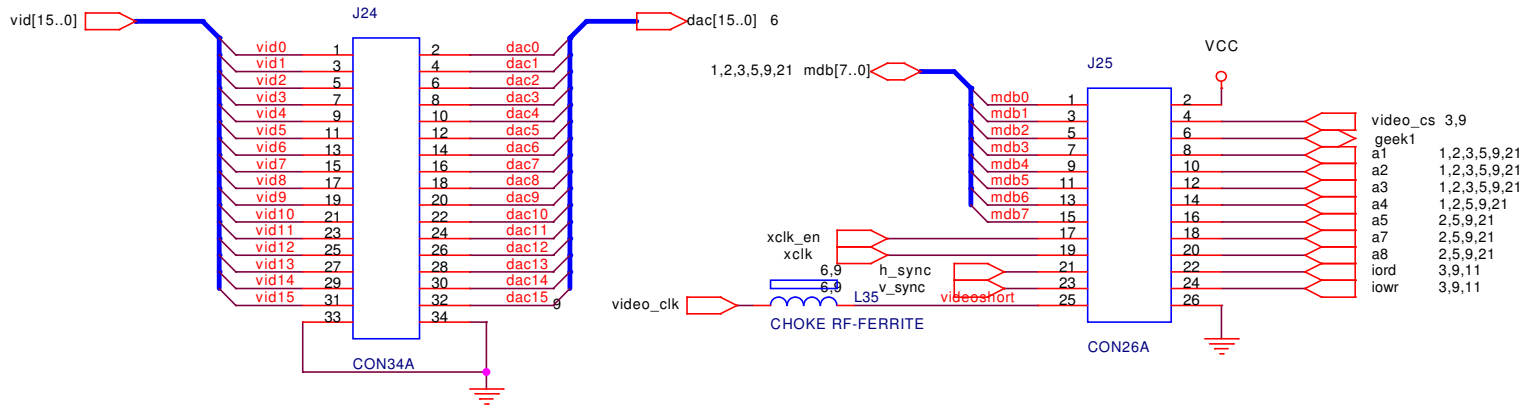
Title		<Title>
Size	Document Number	Rev
B	<Doc>	<Rev>
Date:	Thursday, August 12, 2004	Sheet 20 of 23



Title		<Title>
Size	Document Number	Rev
A	<Doc>	<Rev>
Date:	Thursday, August 12, 2004	Sheet 21 of 23



1	AND	A1	AND	A2	AND	A3	AND	A4	AND	A5	AND	A6	AND	A7	AND	A8	AND	A9	AND	A10	AND	A11	AND	A12	AND	A13	AND	A14	AND	A15	AND	A16
1	OR	O1	OR	O2	OR	O3	OR	O4	OR	O5	OR	O6	OR	O7	OR	O8	OR	O9	OR	O10	OR	O11	OR	O12	OR	O13	OR	O14	OR	O15	OR	O16
1	NOT	N1	NOT	N2	NOT	N3	NOT	N4	NOT	N5	NOT	N6	NOT	N7	NOT	N8	NOT	N9	NOT	N10	NOT	N11	NOT	N12	NOT	N13	NOT	N14	NOT	N15	NOT	N16



Title			<Title>
Size	Document Number		Rev
A	<Doc>		<Rev>
Date:	Thursday, August 12, 2004	Sheet	23 of 23
	2	1	